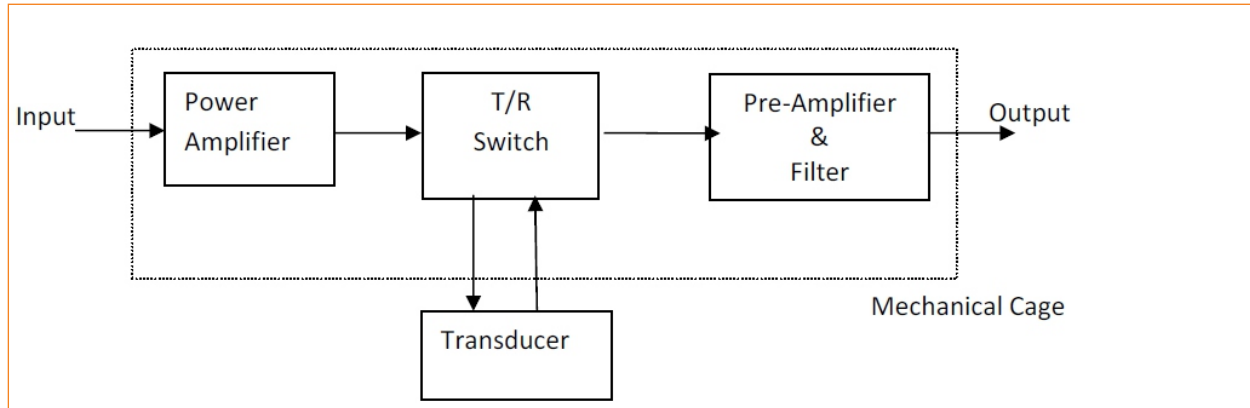


Homming System enables Torpedo to Search, Detect, Track and identify the targets and initiate the exploder mechanism and also to measure the depth of the floor with respect to the torpedo. It consists of 32 resonators(Acoustic Transducers) tuned to a specified central frequency.



Typical Block Diagram of Homming Electronics

Technical Specifications

Preamplifier card

- a) No. of channels : 32 Channels
- b) Circuit noise of the preamplifier : $< 7.0\text{Nv}/\sqrt{\text{Hz}}$
- c) Bandwidth : 15 kHz
- d) Input Power : $\pm 5\text{V DC}$
- e) Filter/channel : 2nd order Butterworth filter
- f) I nput signals ranging from $1\mu\text{V}$ to 100Mv



Power Amplifier Card

The following specs relate to all the six power Amplifier cards put together:

- a) No. of Channels : 32 Channels
- b) Frequency of operation : $22 \pm 5\text{kHz}$
- c) Input signal level : 3 V p-p Unipolar
- d) Maximum Power output : 100W per channel
- e) DC input voltage : 270V DC to 450V DC, $\pm 15\text{v DC}$
- f) Duty Cycle : 20%
- g) Heat Dissipation : 100W / channel
- h) DC Input Voltage : 270V DC to 400V DC $\pm 15\text{V DC}$

* Note : Specifications are subject to change without notice